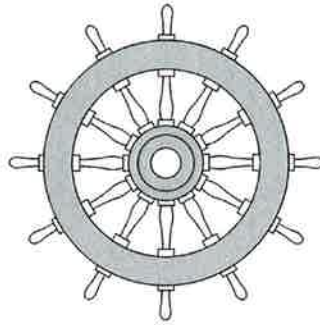


EC TYPE-EXAMINATION CERTIFICATE

according to Marine Equipment Directive (Module B)



NOTIFIED BODY 0809

This is to certify that the examined products with type designations

POC-AL B-15 Glazed single and double leaf hinged door

meet the requirements imposed in IMO 2010 FTP Code, Part 3 (IMO Resolution MSC.307(88)) on

"B-15" class fire doors.

and the provisions of Marine Equipment Directive 96/98/EC, as amended, last amendment 2012/32/EU, that apply to

"B" Class divisions, fire integrity.

Manufacturer of the product is

Pocadel Oy

The Certificate is valid until May 25, 2019 unless cancelled or revoked, provided the conditions in this certificate are complied with and the equipment remains satisfactory in service.

Espoo May 26, 2014


Ritva Paalanen
Lead Assessor


Matti Immonen
Lead Assessor

